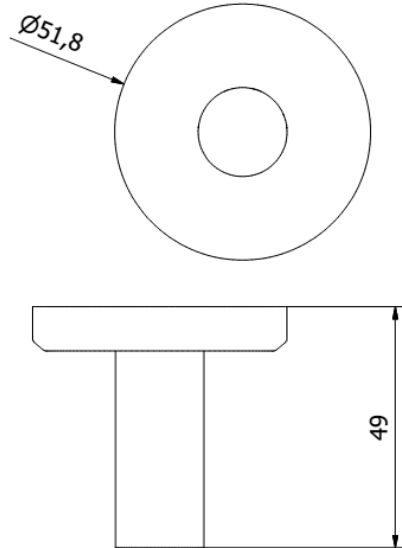




www.ibrubinetterie.it

MODERNA  
M0008

Range  
Product



Product Description

Hook.

Available Finishings

Chrome  
Nickel Brushed  
Glossy White



Glossy Black  
Matt White  
Matt Black



PVD Gold  
Gold  
Rose Gold



Copper  
Bronze  
YO - Your Own



Tech Specifications

iB Standard	Possible Alternative
-------------	----------------------

Material

Brass  
According to CUZN35PB2AL-B(CB752S)  
Max Lead content: 1,6%

Production

Main body is a single casted piece

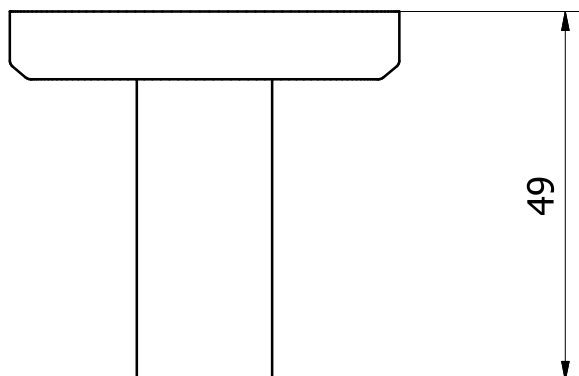
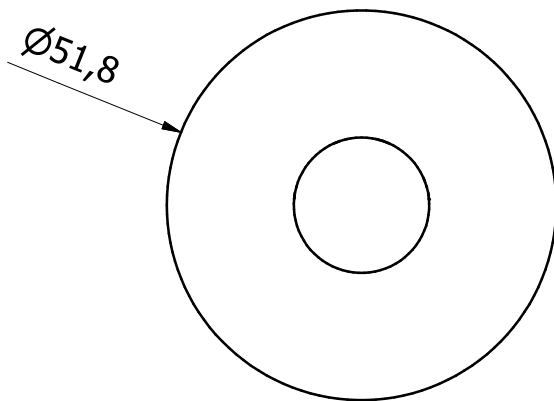
info@ibrubinetterie.it

p.iva 01785230986  
capitale sociale €420.000,00 i.v.


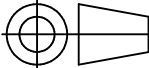
T +39.030.802101  
F +39.030.803097

iB Rubinetterie SpA  
via dei pianotti, 3/5 - 25068 sarezzo (bs) - Italy





A termini di legge questo disegno non può essere riprodotto senza la nostra autorizzazione

 Italian design culture Via dei Pianotti 3/5 25068 Sarezzo - BRESCIA tel. 030802101 fax. 030803097 www.ibrubinetterie.it	<b>Tolleranze generali</b>		<b>Peso</b>	<b>Scala</b>	<b>Formato</b>	
	±0.1				A4	
	<b>Materiale</b>					
	<b>Disegnatore</b> <i>Vivenzi M.</i>	<b>Data creazione</b> 11/03/2015	<b>Approvato da</b>	<b>Approvato il</b>		
<b>Denominazione</b> <i>Porta abiti</i>					<b>Codice</b> <i>KMO008CCXN_1</i>	

## WARRANTY

all iB Rubinetterie SpA products are warranted for 10 years from the date of purchase, for the following cases:

- defects of casting, porosity and chrome plating
- operating defects caused by incorrect fabrication.

The warranty provides for the repair or replacement of products with fabrication defects recognized by our technical office.

There is no other type of compensation and the merchandise must be returned FOB our warehouse. The warranty only cover surface defects (scartches, dings, etc.) on fittings that have not been installed and used, returned in its original packaging with all components.

O-rings, gasket seals and components subject to wear proportional to use are warranted for 2 years.

### *The warranty is void in the following cases:*

- error installing and putting the product into service.
- deterioration of chrome-plated surfaces due to use of cleaning products containing acids or abrasive substances
- deterioration of surface with finishes other than chrome plating. Their durability is, in fact, dependent on the user's care and gentleness of use.
- deterioration of the fitting due incorrect installation.
- improper repairs and maintenance performed without the company's prior authorization.

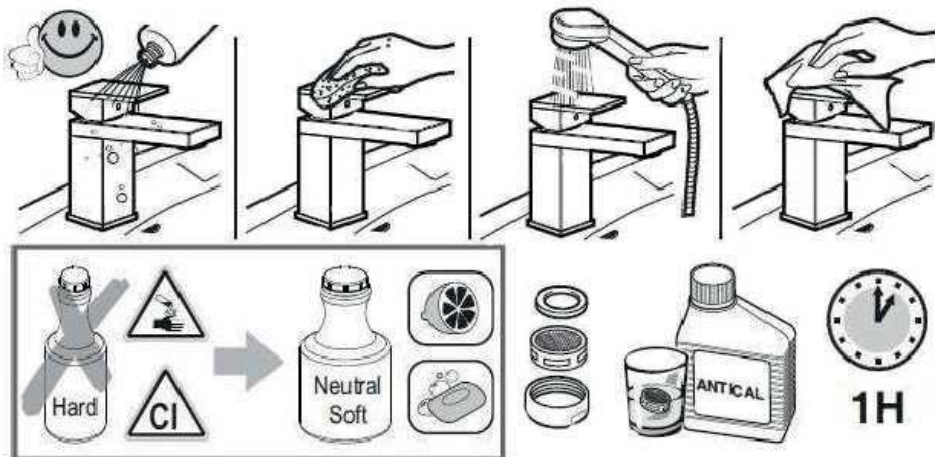
The warranty from iB Rubinetterie SpA is not renewable.

### *Cleaning:*

We recommend cleaning chrome-plated and gold-finish surface with water and soap, using a soft cloth.

Do not use detergents that contain hydrochloric acid or abrasive substances.

Plastic parts must only be cleaned with soap and water and soft cloth.



#### IMPORTANT

##### Pressure & Temperature Requirements.

- \* Hot and cold water inlet pressures should be equal.
- \* Inlet pressure range: 150-1000 kPa
- \* New Regulation: -500 kPa maximum operating pressure at any outlet within a building. (Ref. AS/NZS 3500.1-2003, Clause 3.3.4)
- \* Maximum hot water temperature: 80°C.



#### iB Rubinetterie S.p.A.

Via dei Pianotti 3/5  
25068 SAREZZO (BS) Italy  
Iscr. Reg. Impr. BS 01785230986  
R.E.A. BS 352087  
P.IVA IT01785230986  
Capitale Sociale € 420.000,00 i.v.  
phone +39 030 802101  
fax +39 030 803097  
info@ibrubinetterie.it  
www.ibrubinetterie.it

