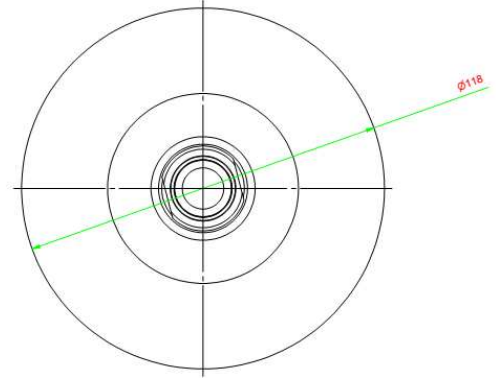
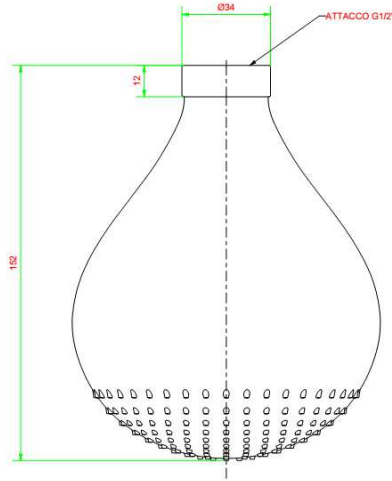




www.ibrubinetterie.it

DROP
DR001

Range
Product



Product Description

The Drop showerhead is made of pure anti-lime scale silicone and comes with a valve that limits the maximum water flow to 10.5 liters per minute. The soft silicone drop is fully resistant to touch, pressure and external agents. Due to the configuration of that showerhead, the water flow rate is always the same even changing the water pressure. Drop is suitable wherever you want, on a wall arm or a ceiling arm or a shower column or a free standing shower.

Available Finishings

Chrome	<input type="checkbox"/>	Glossy Black	<input type="checkbox"/>	PVD Gold	<input type="checkbox"/>	Copper	<input type="checkbox"/>
Brushed Nickel	<input type="checkbox"/>	Matt White	<input type="checkbox"/>	Gold	<input type="checkbox"/>	Bronze	<input type="checkbox"/>
Glossy White	<input type="checkbox"/>	Matt Black	<input type="checkbox"/>	Rose Gold	<input type="checkbox"/>	YO - Your Own	<input type="checkbox"/>

Tech Specifications

iB Standard	Possible Alternative
-------------	----------------------

Flow Rate
(+/- 10%)

1 BAR	10.5 l/m
2 BAR	10.5 l/m
3 BAR	10.5 l/m

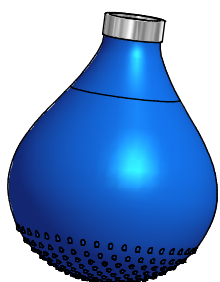
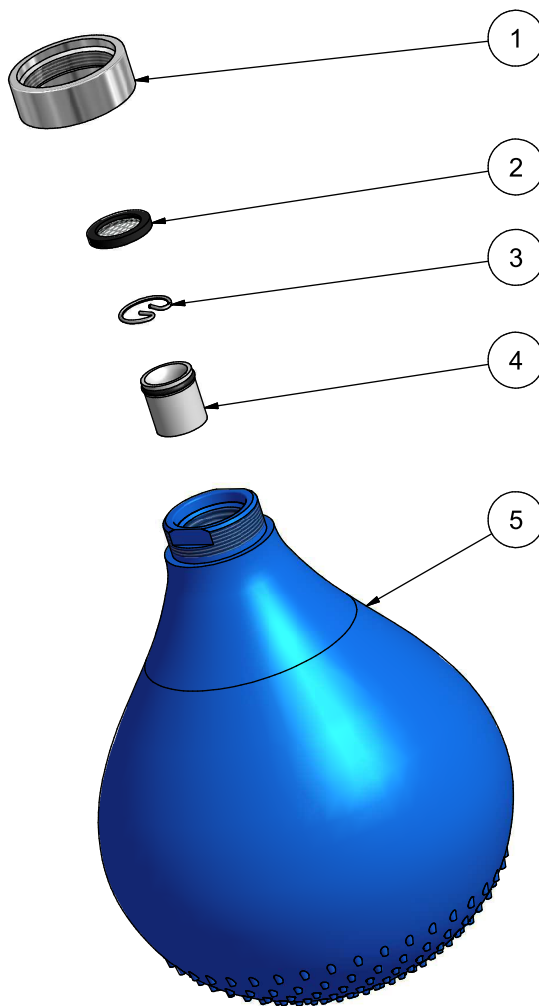
Material	Brass According to CUZN35PB2AL-B(CB752S) Max Lead content: 1,6%
Production	Main body is a single casted piece



info@ibrubinetterie.it
 p.iva 01785230986
 capitale sociale €420.000,00 i.v.
 T +39 030 802101
 F +39 030 803097
 iB Rubinetterie SpA
 via dei pianotti, 3/5 - 25068 sarezzo (bs) - Italy

Elenco parti

ELE	CODICE	DESCRIZIONE	QT
1	AC0010926	Anello copertura attacco M28x1 H12	1
2	AQ0010360	Guarnizione con filtro G1/2"	1
3	AQ0009678	Anello elastico AISI 302	1
4	AQ0011037	Valvola regolazione di portata Ø15 12L	1
5	CP11038	Premontato drop blu	1



A termini di legge questo disegno non può essere riprodotto senza la nostra autorizzazione

 www.ibrubinetterio.it Via dei Pianotti 3/5 25068 Sarezzo - BRESCIA tel. 030802101 fax. 030803097 www.ibrubinetterio.it	Tolleranze generali		Peso	Scala 1:2	Formato ISO A3	
	Materiale					
	Disegnatore Tanghetti W.	Data creazione 28/02/2008	Approvato da Tira Gabriele	Approvato il 21/10/2008		
	Denominazione Esplosore soffione a Goccia - DROP BLU					

WARRANTY

all iB Rubinetterie SpA products are warranted for 10 years from the date of purchase, for the following cases:

- defects of casting, porosity and chrome plating
- operating defects caused by incorrect fabrication.

The warranty provides for the repair or replacement of products with fabrication defects recognized by our technical office.

There is no other type of compensation and the merchandise must be returned FOB our warehouse. The warranty only cover surface defects (scartches, dings, etc.) on fittings that have not been installed and used, returned in its original packaging with all components.

O-rings, gasket seals and components subject to wear proportional to use are warranted for 2 years.

The warranty is void in the following cases:

- error installing and putting the product into service.
- deterioration of chrome-plated surfaces due to use of cleaning products containing acids or abrasive substances
- deterioration of surface with finishes other than chrome plating. Their durability is, in fact, dependent on the user's care and gentleness of use.
- deterioration of the fitting due incorrect installation.
- improper repairs and maintenance performed without the company's prior authorization.

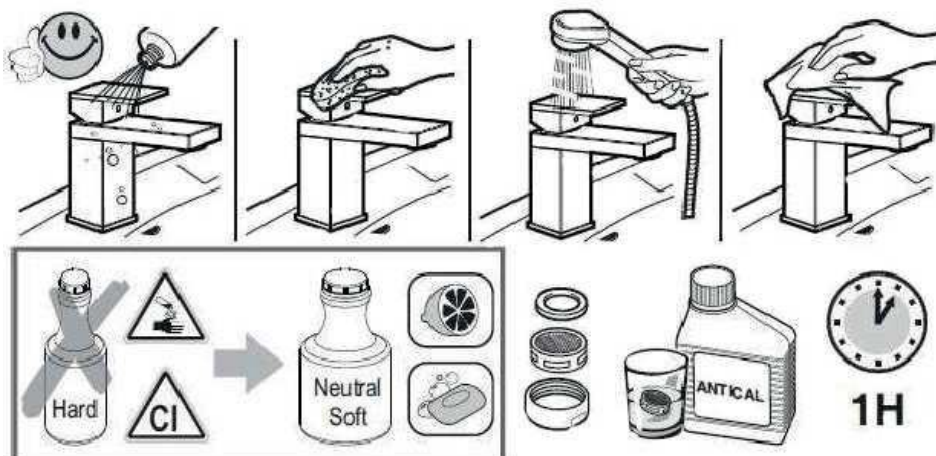
The warranty from iB Rubinetterie SpA is not renewable.

Cleaning:

We recommend cleaning chrome-plated and gold-finish surface with water and soap, using a soft cloth.

Do not use detergents that contain hydrochloric acid or abrasive substances.

Plastic parts must only be cleaned with soap and water and soft cloth.



IMPORTANT

Pressure & Temperature Requirements.

- * Hot and cold water inlet pressures should be equal.
- * Inlet pressure range: 150-1000 kPa
- * New Regulation: -500 kPa maximum operating pressure at any outlet within a building. (Ref. AS/NZS 3500.1-2003, Clause 3.3.4)
- * Maximum hot water temperature: 80°C.



iB Rubinetterie S.p.A.
Via dei Pianotti 3/5
25068 SAREZZO (BS) Italy
Iscr. Reg. Impr. BS 01785230986
R.E.A. BS 352087
P.IVA IT01785230986
Capitale Sociale € 420.000,00 i.v.
phone +39 030 802101
fax +39 030 803097
info@ibrubinetterie.it
www.ibrubinetterie.it

