



ISTRUZIONI DI MONTAGGIO

IT

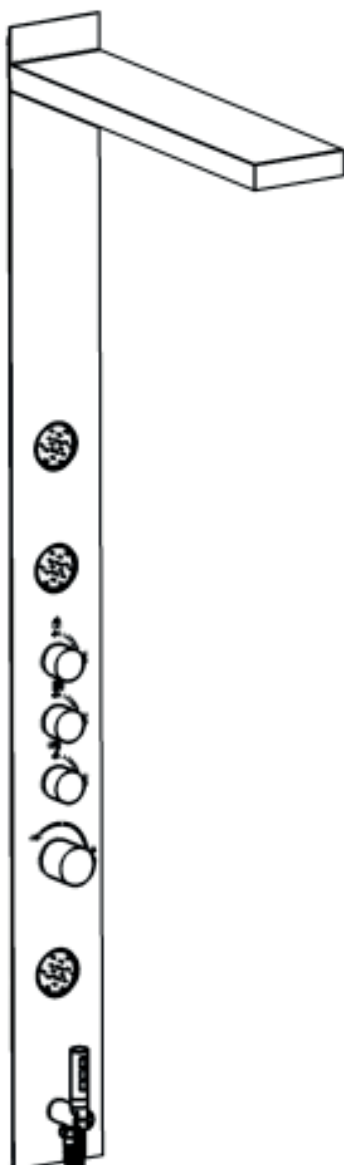
FITTING INSTRUCTIONS

EN

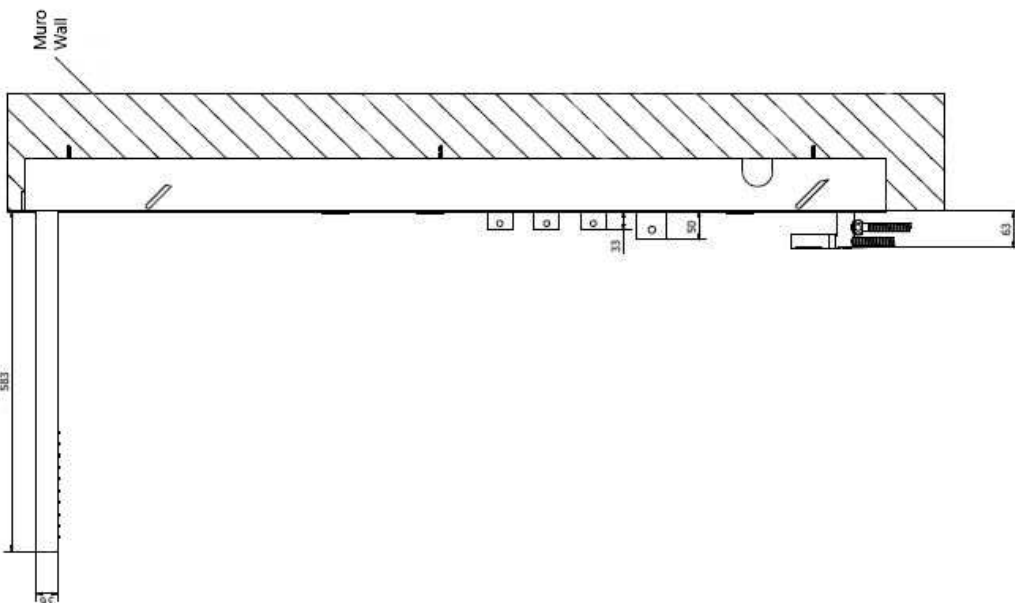
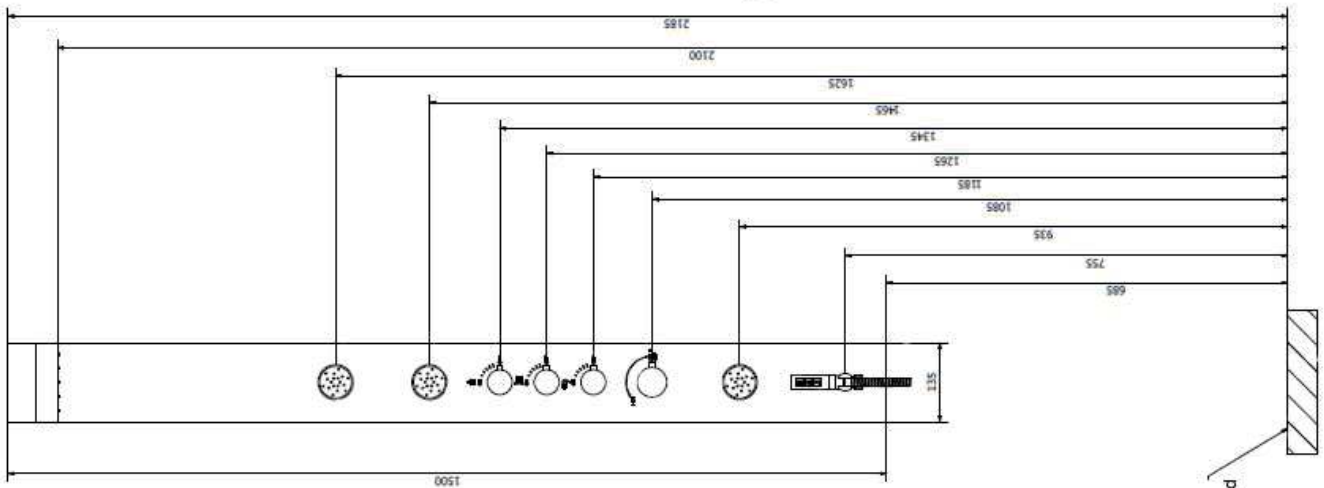
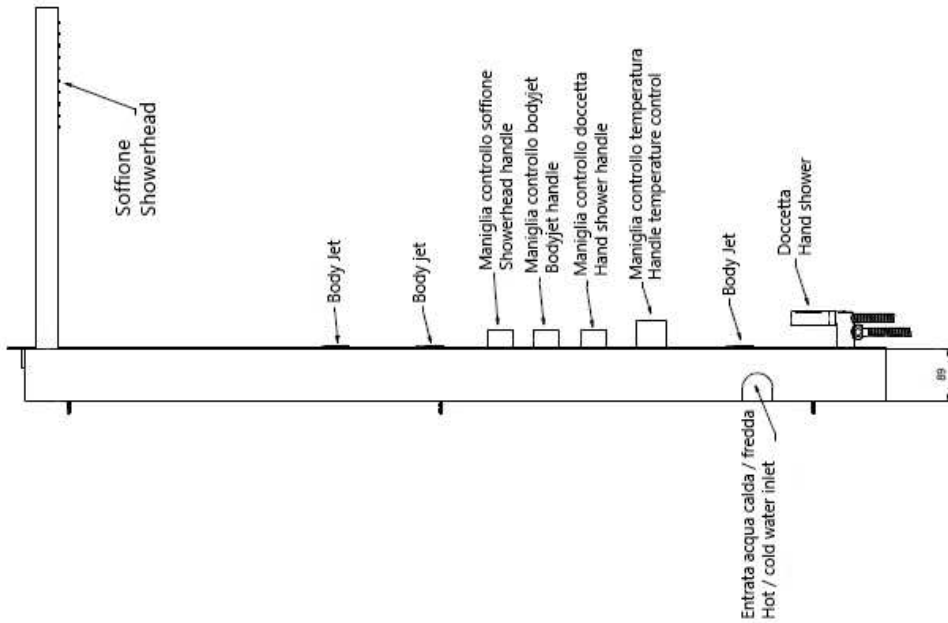
NOTICE DE MONTAGE

FR

WallPaper



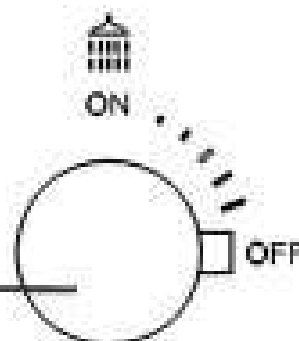
Ingombro Footprint Dessin technique



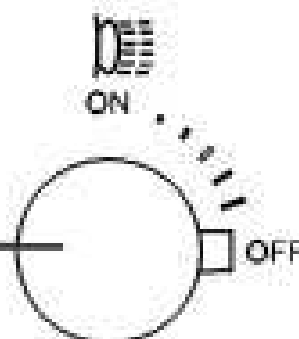
Piano di riferimento ipotizzato a 2.1 mt dal soffione principale
Reference plane hypothesized to 2.1 mt from the main showerhead

Funzionamento maniglie
Handle operation
Fonctionnement des poignées

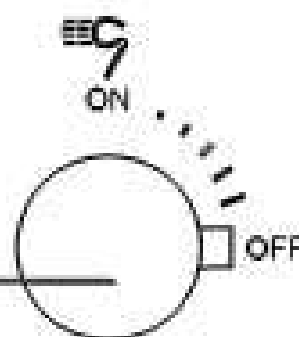
Maniglia soffione
Handle of shower



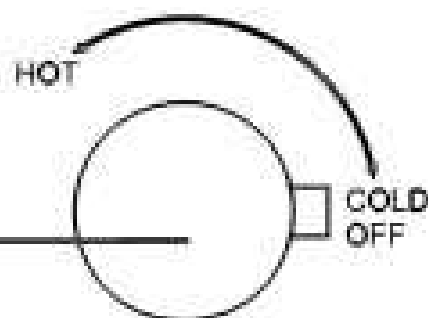
Maniglia bodyjet
Handle of bodyjet



Maniglia doccia
Handle of handshower



Maniglia temperatura
Handle of temperature



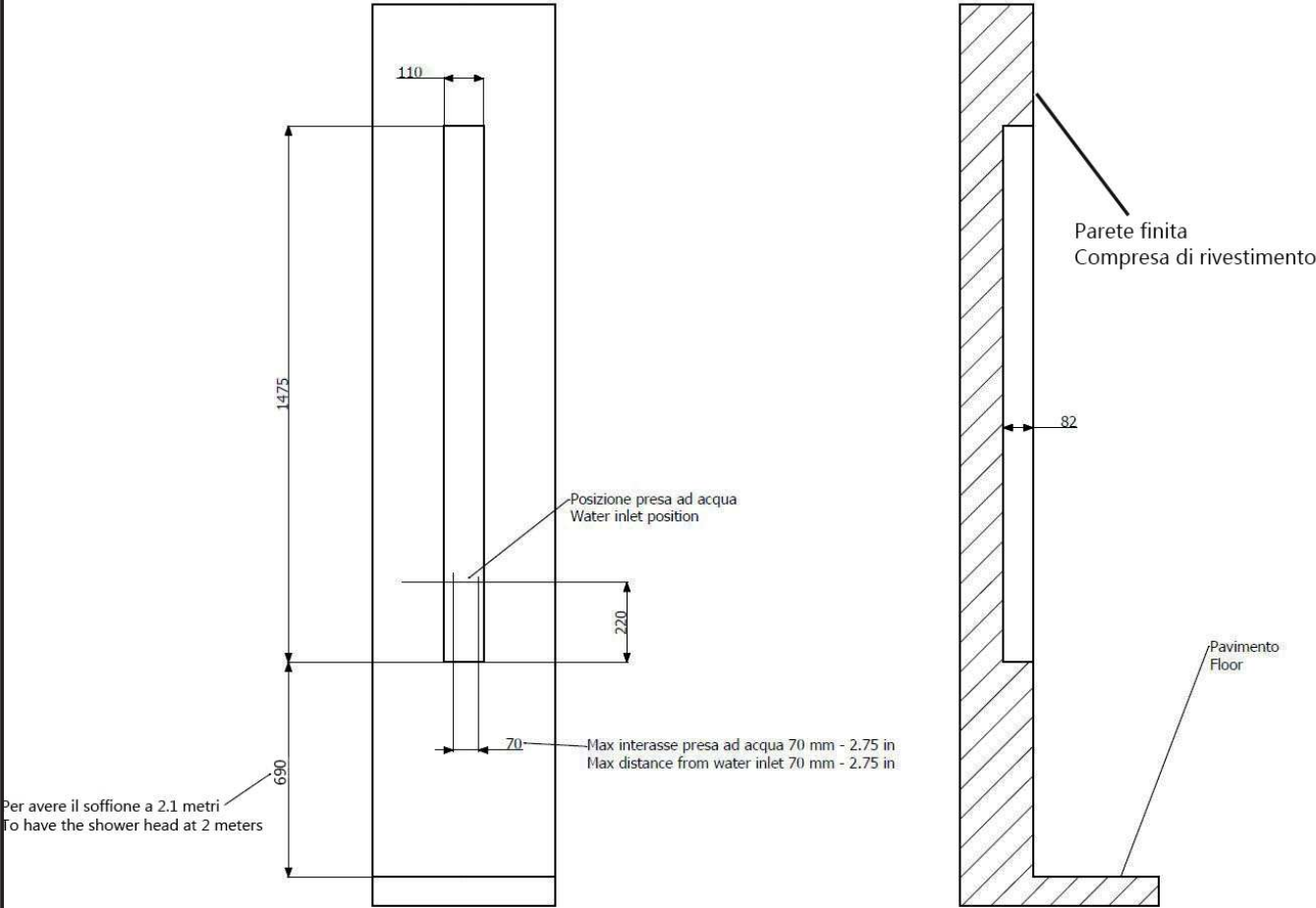
Collegamento flessibili
Hose connection
Branchement flexibles



Entrata acqua fredda
Cold water inlet

Entrata acqua calda
Hot water inlet

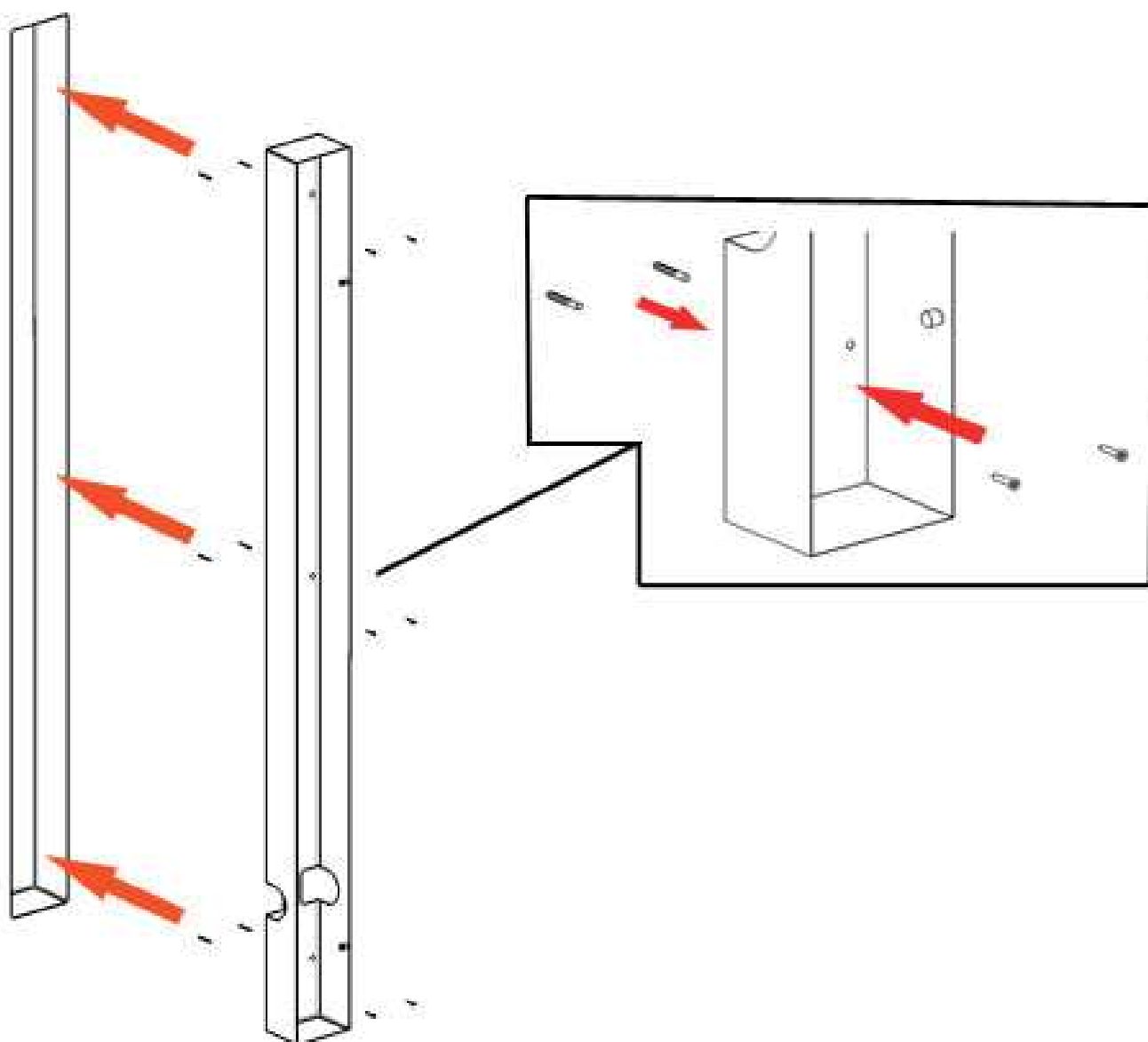
Spacco muro
Wall hole
Saignée dans le mur



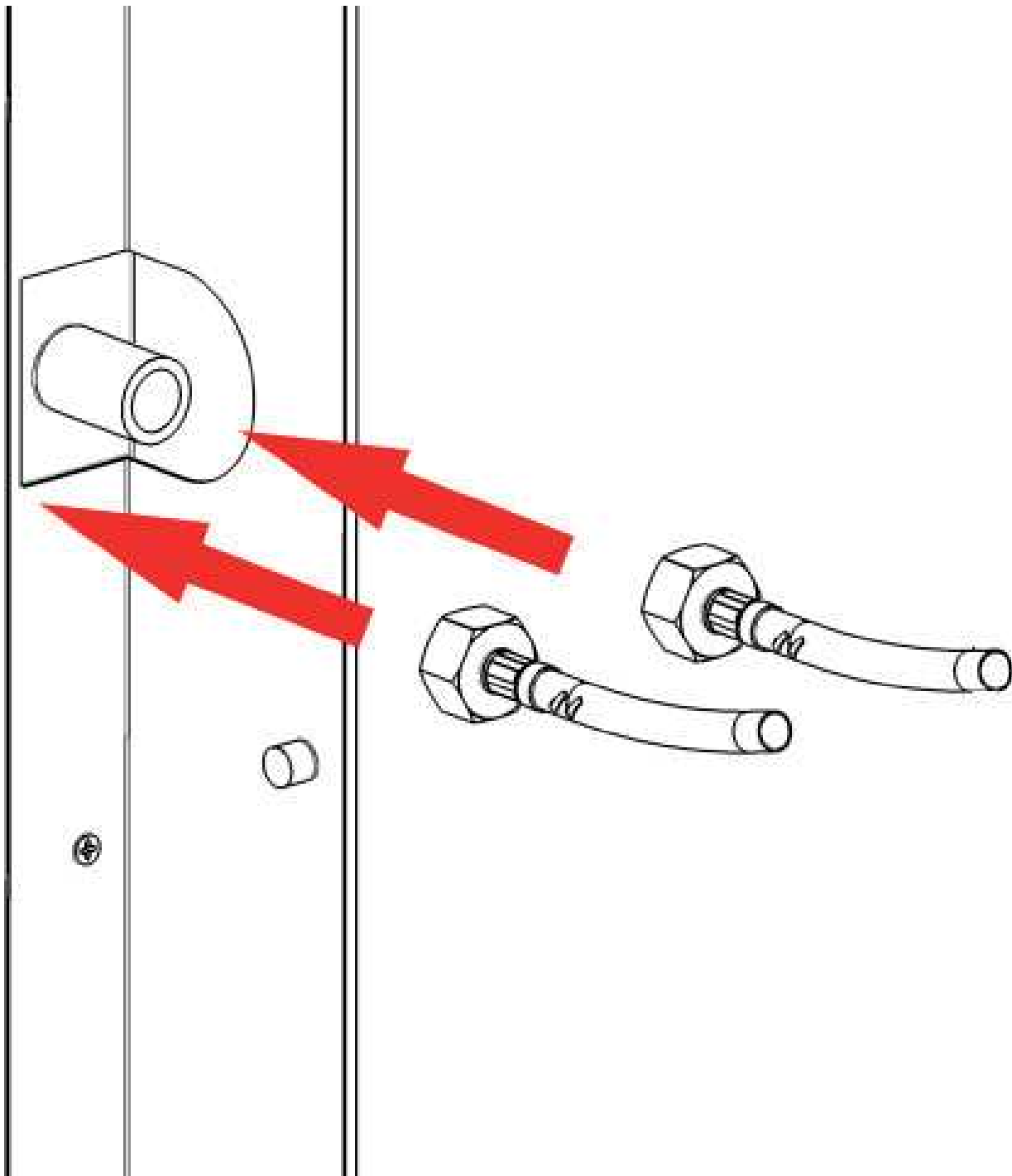
Fissaggio box interno con tasselli

Fixing box with rawplug

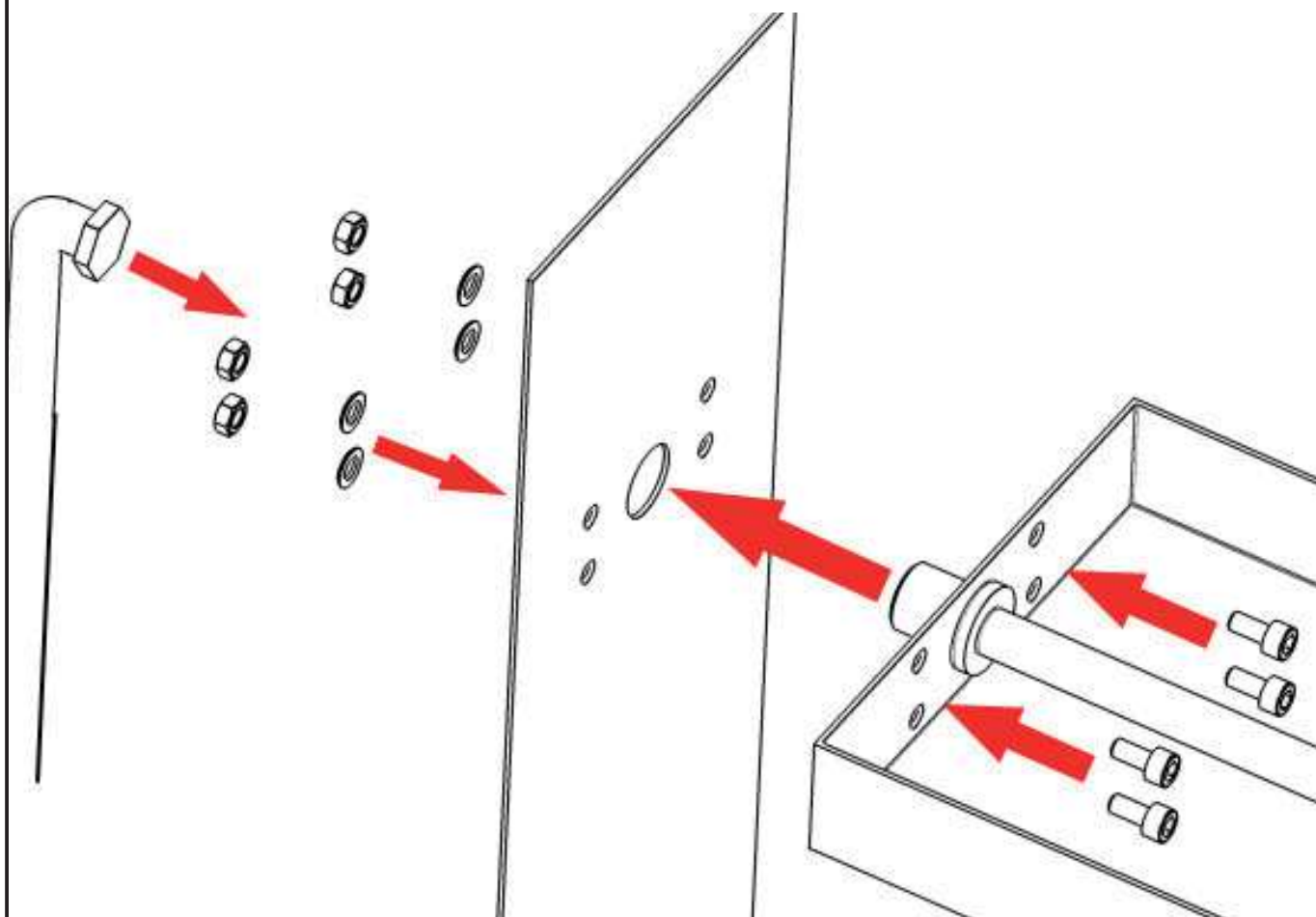
Châssis de montage avec des boulons d'ancrage



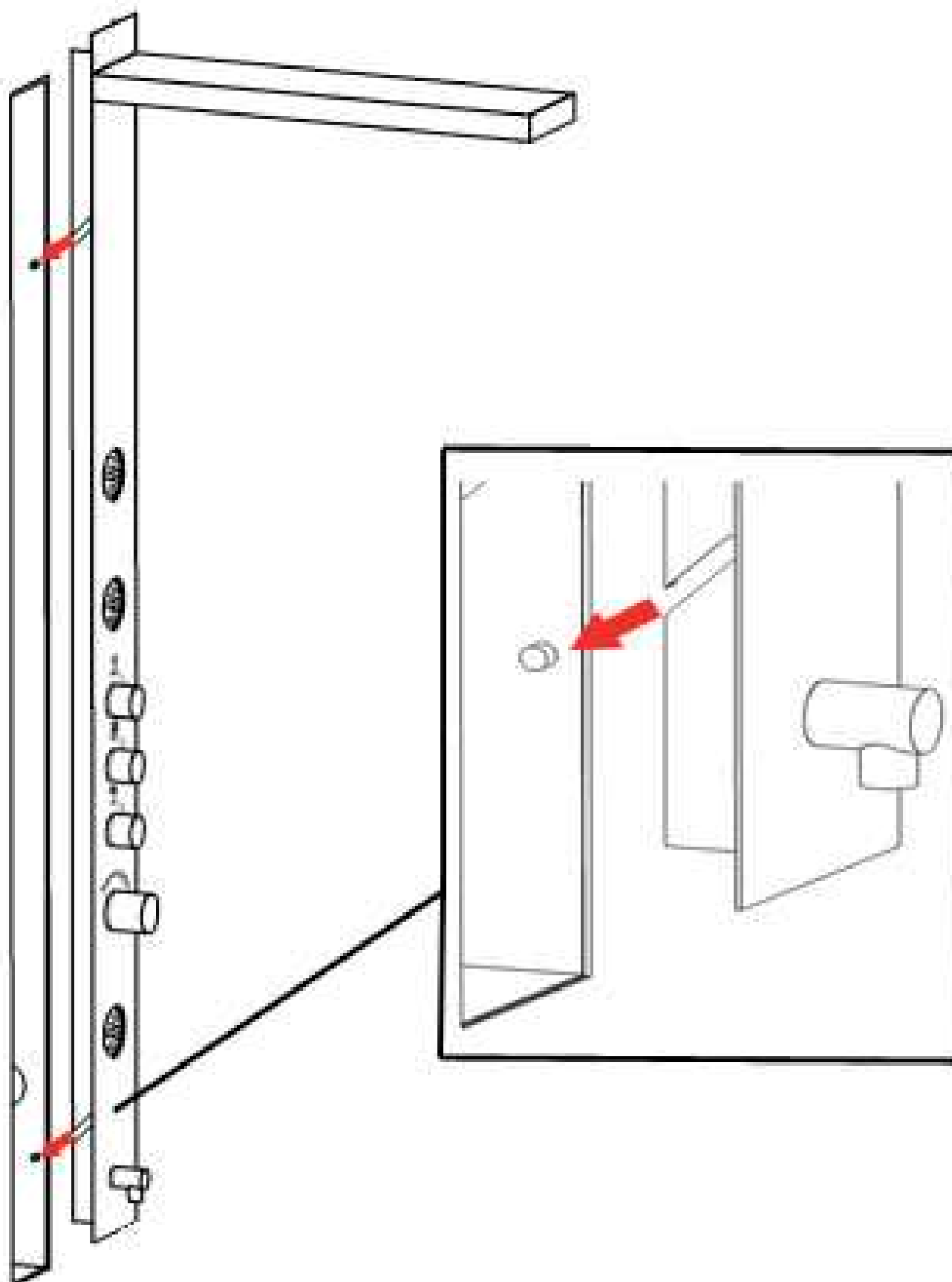
Collegamento flessibili
Hose connection
Branchement flexibles



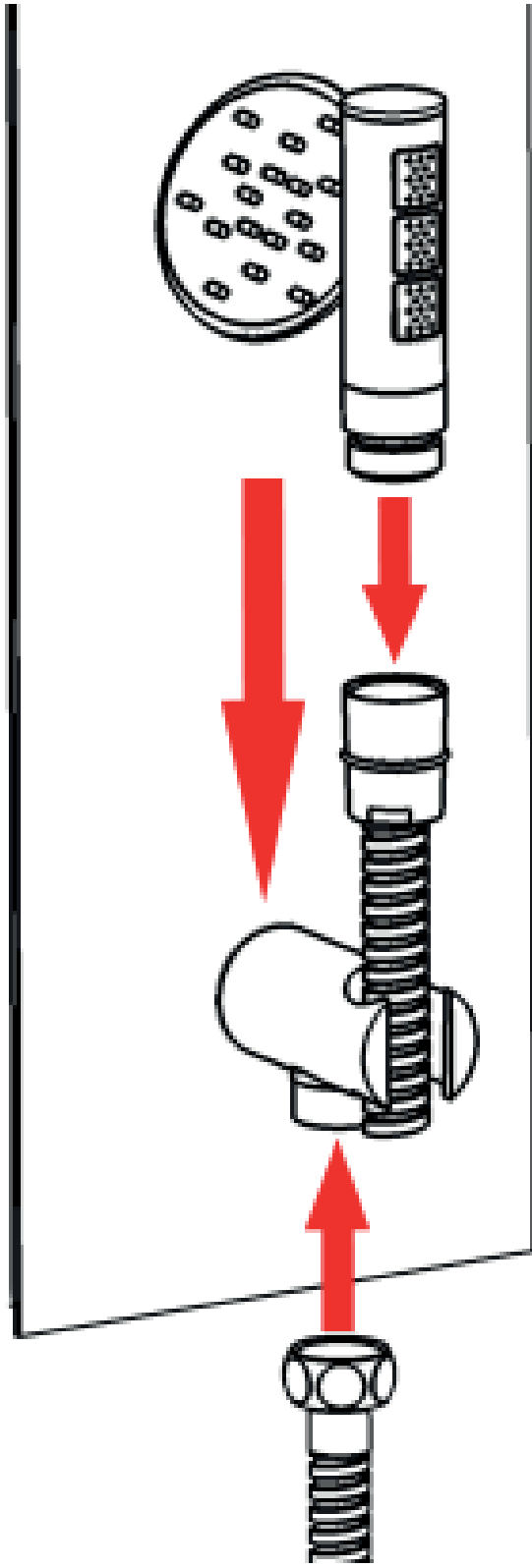
Fissaggio soffione
Showerhead fixing
Fixation de la tête de douche



Fissaggio pannello frontale
Front panel fixing
Fixation du panneau frontal



Fissaggio doccia
Handshower fixing
Fixation douchette



IMPORTANT

Pressure & Temperature Requirements.

- * Hot and cold water inlet pressures should be equal.
- * Inlet pressure range: 150-1000 kPa
- * New Regulation: -500 kPa maximum operating pressure at any outlet within a building. (Ref. AS/NZS 3500.1-2003, Clause 3.3.4)
- * Maximum hot water temperature: 80°C.



iB Rubinetterie S.p.A.

Via dei Pianotti 3/5
25068 SAREZZO (BS) Italy
Isr. Reg. Impr. BS 01785230986
R.E.A. BS 352087
P.IVA IT01785230986
Capitale Sociale € 420.000,00 i.v.
phone +39 030 802101
fax +39 030 803097
info@ibrubinetterie.it
www.ibrubinetterie.it